

Product: TABLE

Table with base in powder coated or Luxury metal die-cast Aluminium.

Top available in extralight clear glass or with an external ring in Sablè lacquered or Veneer.



TECHNICAL FEATURES

Top:

Clear glass: transparent clear glass 15 mm thick.

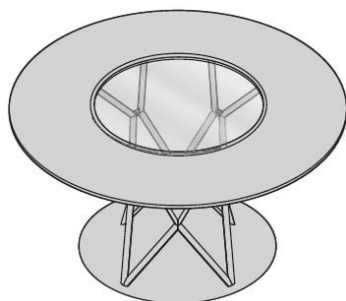
Sablè lacquered or Veneer: the tops are made in 25 mm thick chipboard panels; available in sablè lacquered or veneer finish. They are used for the external ring.

Base: the base is in die-cast Aluminium.

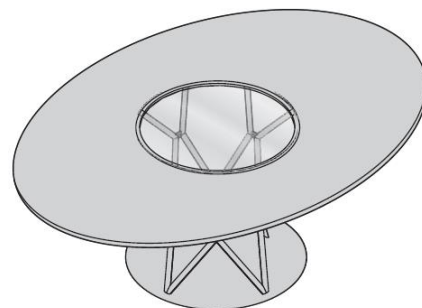
DIMENSIONS



Round table.
Ø 120 (47''1/4)
H 73 (28''3/4)



Oblò round table.
Ø 130 (51''1/8) / 150 (59'')
H 74 (29''1/8)



Oblò oval table.
W 200 (78''3/4)
D 137 (53''7/8)
H 74 (29''1/8)

FINISHES

Top:

Clear glass.

Sablè lacquered, available in different sample collection colours.

Veneer: Magnolia, Colour White Fir, Nuvola stained Oak, Natural Oak 2016, American Walnut, Eucalyptus, Wengè, Zebrano Brown, Ebano.

Base:

Varnished Aluminium: matt or glossy White Snow, glossy UE White, glossy Silver, matt Titanio, matt Green Black, matt Brown, matt Carbon Glacè, glossy Alfa Red.

Luxury Metal: glossy Nickel Black, matt Bronze, matt Brass, matt Antique Brass, Pewter Quarz, Brunished Cobalt.

